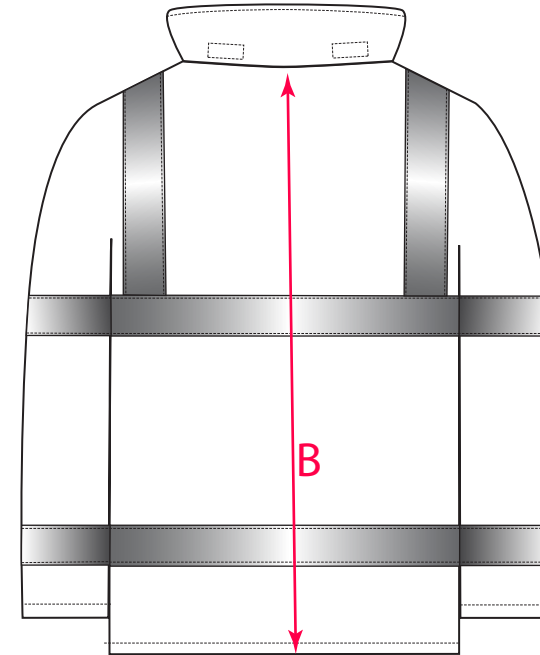
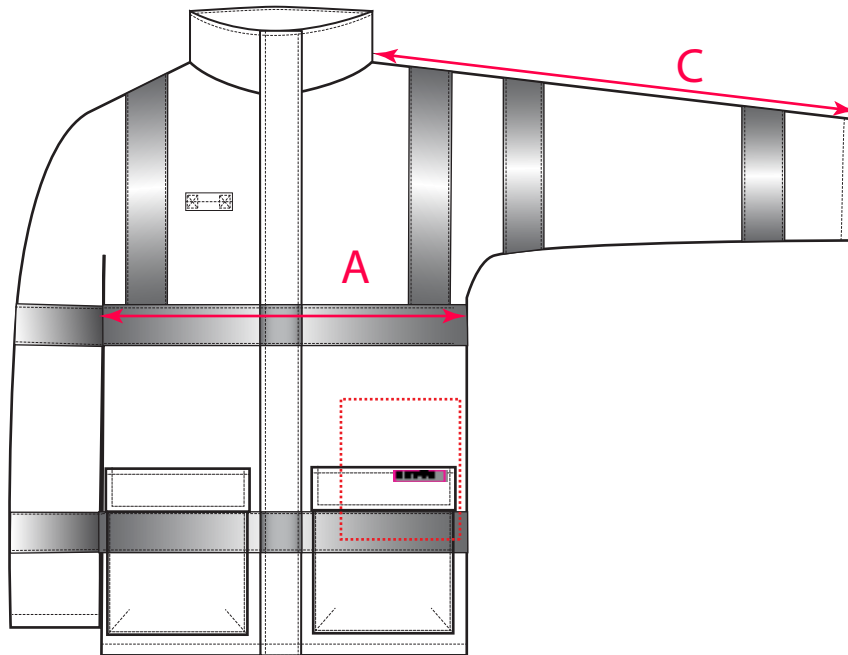


BASE STYLE: S778

DESCRIPTION: Bizflame Rain Hi-Vis FR Winter Jacket

FABRIC: 98% Polyester, 2% Carbon Fibre

Orange, Yellow



Descriptions		XS	S	M	L	XL	XXL	3XL	4XL	5XL	6XL
Chest Width	A	110.00	118.00	126.00	134.00	142.00	150.00	158.00	166.00	178.00	190.00
Back Length	B	80.50	81.50	82.50	83.50	84.50	85.50	86.50	87.50	88.50	89.50
sleeve length	C	88.5	90.00	91.50	93.00	94.50	96.00	97.50	98.50	99.50	100.50