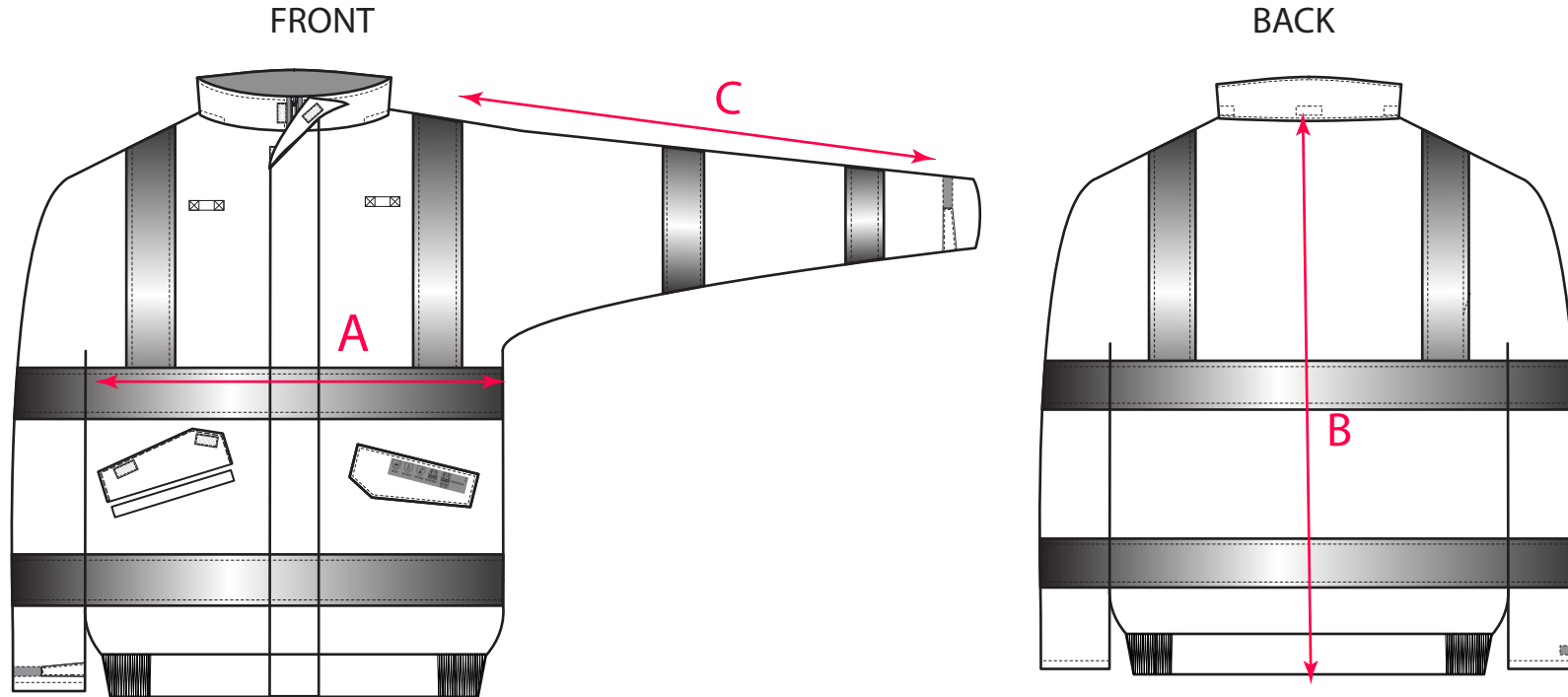


BASE STYLE: S773

DESCRIPTION: Bizflame Rain Hi-Vis FR Winter Bomber Jacket

FABRIC: 98% Polyester, 2% Carbon Fibre

Orange, Yellow



Descriptions		XS	S	M	L	XL	XXL	3XL	4XL	5XL	6XL
Chest Width	A	110.00	118.00	126.00	134.00	142.00	150.00	158.00	166.00	178.00	190.00
Back Length	B	68.00	68.00	70.00	70.00	72.00	72.00	72.00	74.00	74.00	74.00
sleeve length	C	81	82.00	83.00	84.00	85.00	86.00	87.00	88.00	89.00	90.00